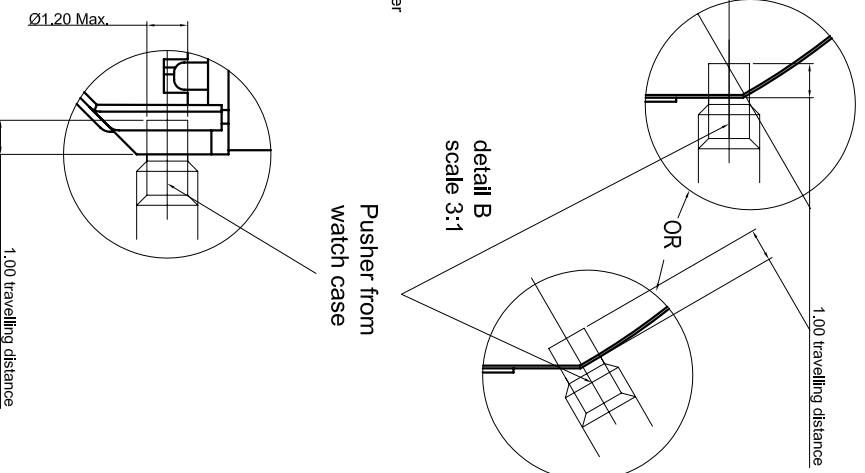
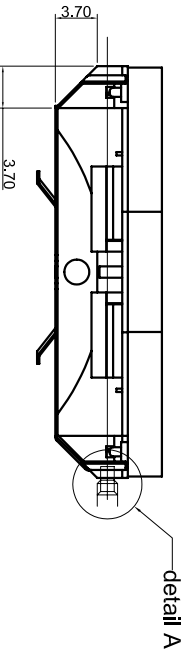
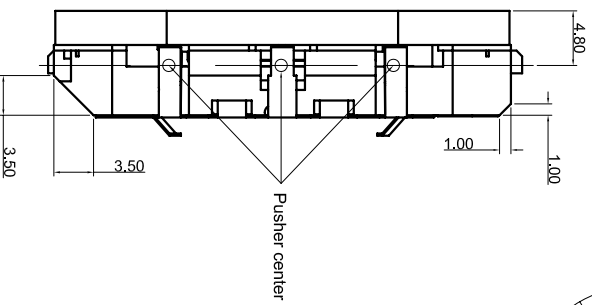
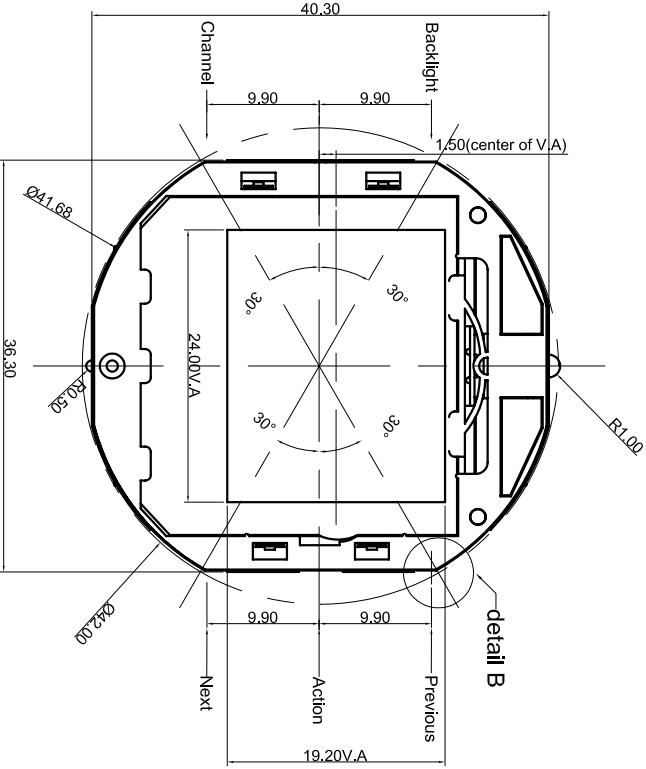
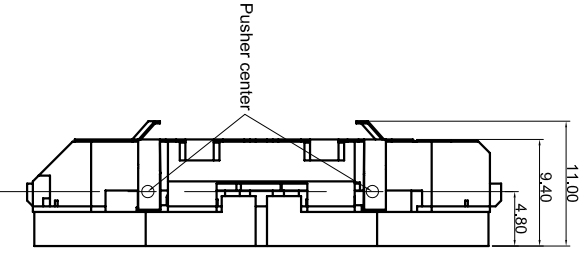


PROPRIETARY INFORMATION
 INFORMATION HEREIN SHALL
 NOT BE REPRODUCED IN ANY FORM
 WITHOUT THE WRITTEN PERMISSION
 OF HERALD DATANETICS LTD

LTR	DESCRIPTION	ECN#	DATE	APPROVED/COLLATED
A	new release	05/10/04	Jackson	



ALL DIMENSIONS IN : INCHES mm

TOLERANCES ARE
 DECIMAL IN INCHES
 DECIMAL IN mm
 XX+/- .020
 XXX+/- .005
 XXXX+/- .0005
 REMOVE ALL BURRS AND
 SHARP EDGES
 SURFACE
 ROUGHNESS
 SCALE : 1.5:1 Projection

REQ. D.	PART NO.	DESCRIPTION	ITEM
		LIST OF MATERIAL	
DRAWN BY	Aweigh	05/10	HERALD DATANETICS LIMITED
CHECK BY	Alfred	05/10	SPOT module for watch
MAT'L :	Housing : POM		
	Material :		
	HDL-0010-01	REV. PART 1	1.3 OF 1

FM04-69(1)